

# SI TECH



## Urine dump valve manual

*Extend your bottom time using a urine dump valve.*



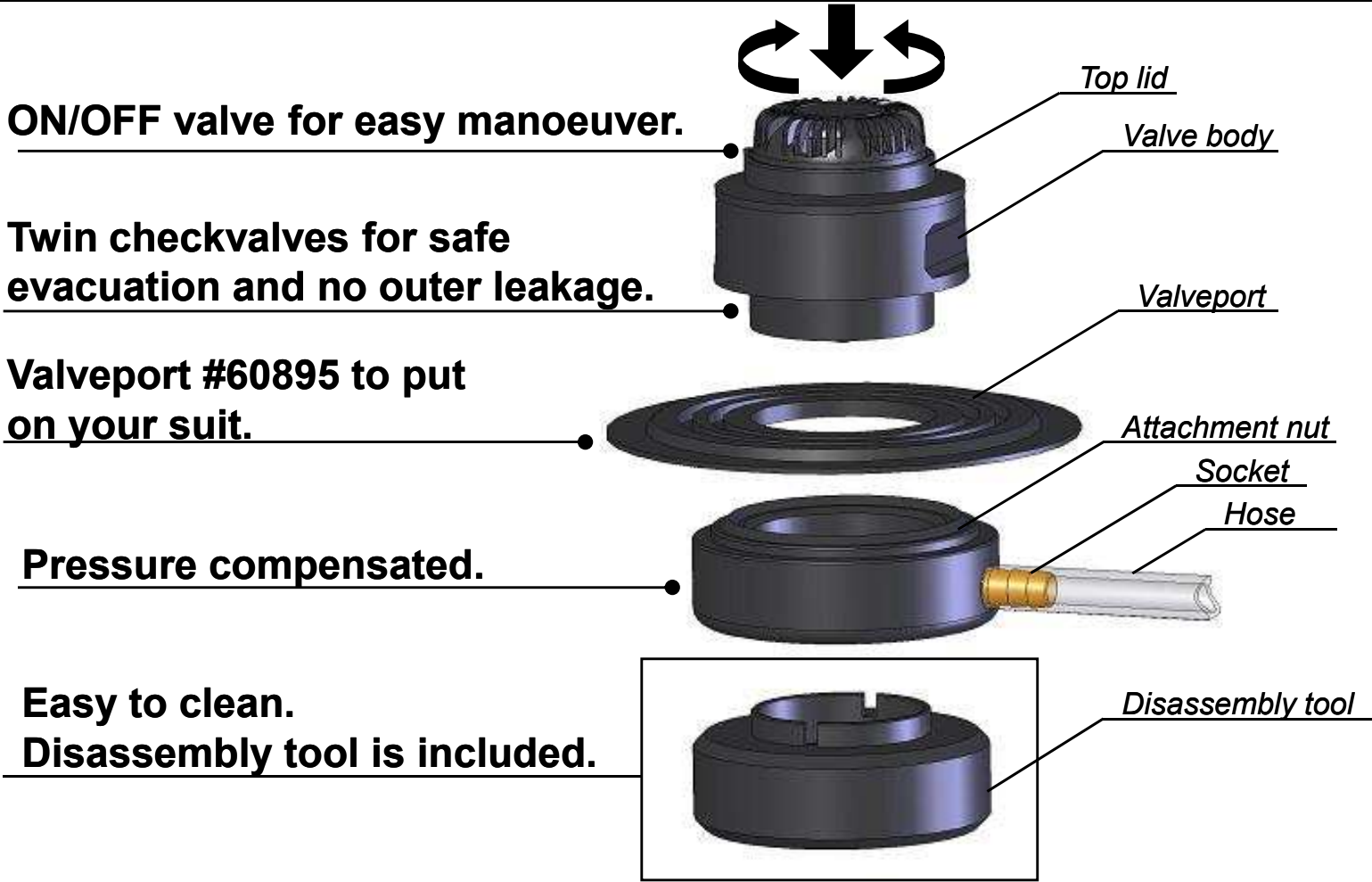
***No use having loads of breathing gas when nature prevents you from concentrating. Long working hours and deco times are no longer a problem. Relieve yourself in a donned dry suit!***

# SI TECH

Lysekil • Sweden  
Phone +46 523 150 10  
sales@sitech.se  
www.sitech.se



## Urine dump valve manual



**Urine dump kit combo, item no.#11925**  
 Includes: Urine dump valve, Blanking plug  
 2x Uridome 25mm, disassembly tool and valveport. (see picture to the left)

**Urine dump valve, item no. # 11920**  
 Includes: Urin dump valve, disassembly tool and valveport (Uridome is not included)

**Also available**  
 Blanking plug, enables diving without urine dump valve. # 60340

**Extra Uridomes, 25mm #11907, 30mm #11908, 35mm #11909**

**Dump valve also available in low mute/non magnetic, item no. #16920**

**Urine dump valve** is intended for attachment in a valve port that is permanently glued to the suit. The urine dump valve is furnished with a pressure compensation checkvalve (mushroom valve) inside the internal nut. A silicone hose attached to the nut socket is connected to a disposable uridome.

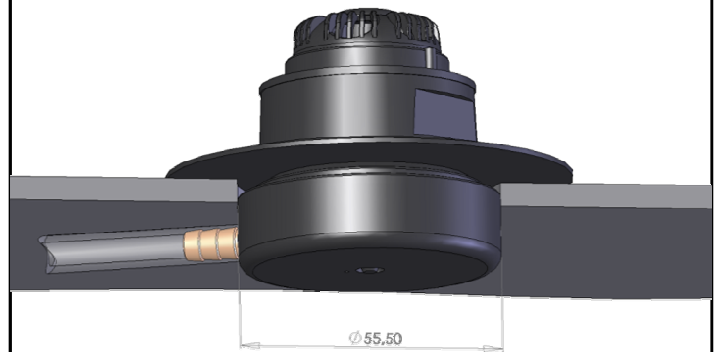


## Urine dump valve manual

### Suit preparations:

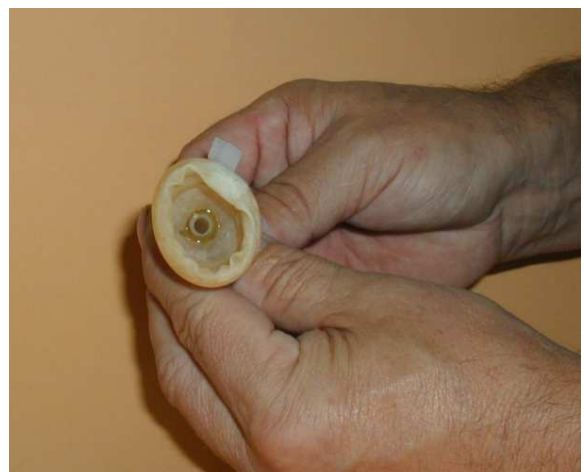
Attach the valve into the suit on the upper and inner part of the thigh (minimum 15 mm from the crotch), easily accessible when turning dump valve on and off. ( A valve port blank plug is used when the urine dump valve not are used.) Attach the urine dump valve into the valve port with the socket of the attachment nut pointing upwards. The undergarment will have to be penetrated (i.e. on the thigh) to give way for the hose.

To keep the parts on the inside of the suit as low as possible the attachment nut is designed to be fitted against the valve port directly without any suit material in between. The hole in the fabric has to be bigger then usual (min  $\varnothing$  55,5 mm). Its essential that this method is used, if not the connection valve and attachment nut will be insufficient or impossible.



### Assembly of hose and uridome:

To ease the insertion, angle cut the silicone hose  $>45^\circ$ . Insert the chamfered end through the uridome extension. To secure the hose from slipping out, apply silicon sealant or Aqua sure on the last 30 mm of the hose. Pull the rest of the hose until it does not protrude into the cup of the the uridome. Adjust the length of the hose (still allowing you to stretch your legs when swimming.) Cut the end perpendicular.





## Urine dump valve manual

### Donning:

Relieve yourself before donning the suit. The uridome is put on the same way as a condom. Make sure no hair is snagging in the self-adhesive surface. Put on the undergarment as far as to the thighs and put the end of the hose through the hole in the undergarment. Gently taping the hose to the body is a good idea. Make sure sharp bends and squeezing of the hose is avoided. Put on the rest of the undergarment. Don the suit as far as the thighs and attach the silicone hose to the attachment nut socket. Complete donning the suit.

### Using:

Push the lid down and turn to close (off) and turn to open (on). When using turn the valve open, then urinate. Valve should be open in water do not close, expanding air is relieved through the valve. Don't wait too long before relieving yourself. Urinating often is better. **To minimise the pressure difference, maintain a horizontal position while urinating.**

### Doffing:

Turn the urine dump open. Open the suit and undergarment. Squeeze as much urine as possible out of the hose, from the uridome and outwards, through the valve. Disconnect the hose from the attachment nut socket. If possible, cover the socket to avoid further spill/leakage. After doffing the suit, remove the dump valve, rinse it and insert the blanking plug, if available. To clean the valve use the disassembly tool to disassemble the valve. Turn counter clockwise to disassemble the top lid from valve body. Wash the entire valve with lukewarm soap water and rinse thoroughly with warm water. Store the valve open (turned off) and disconnected from the hose. Uridomes are preferably used once only

