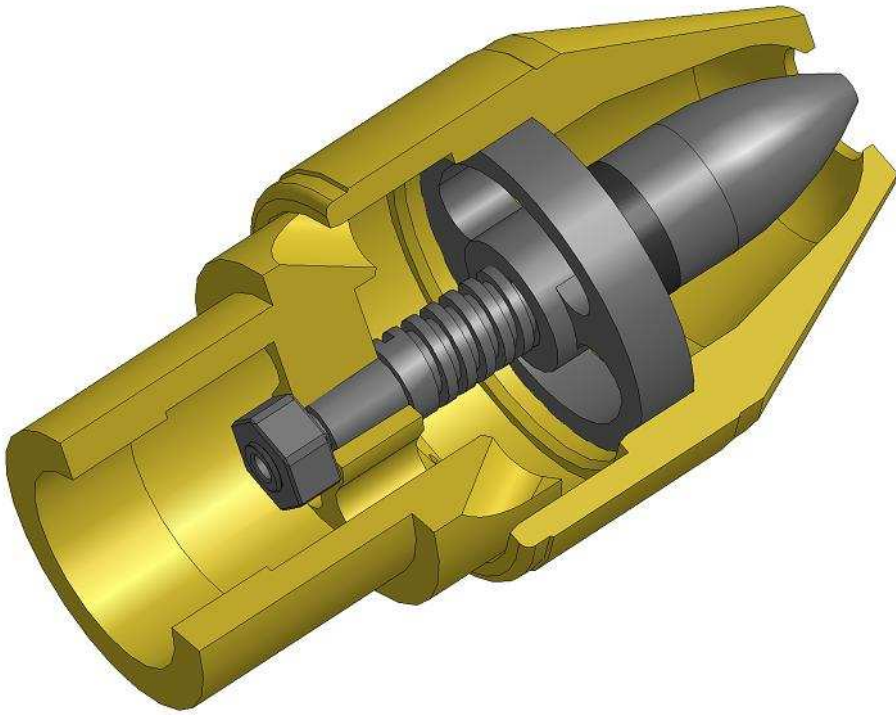




Balanced Water-jet nozzle



- No recoil when turned on or in use.
- Adjustable flow during use.
- To be attached to fire hose valve.
- Internal gas thread G 1 1/4".
- Other thread dimensions available on request.
- Item no. #60020.



Recommended pump capacity.

Flow: 1000 L/min

Pressure: 10bar

